

Spare parts 162301000

CTT 230

rev. A

DI-ZET

Praktyczne rozwiązania w systemach pakowania

Part No.	Description	Page
162301000	CTT 230	3
210339	Bottom unit 1650 mm	4
210350	Turn table drive	5
210541	Mast 205/215 LH=2200 mm	6
210430	Carriage assy.	8
210338	Mast top	9
210345	Aggregate CTT215	10
200422	Speed shift assy.	12
210226	Bobbin holder assy.	13
210227	Electrical motor assy.	14
210261	Clutch roller	15
210300	Protective plate assy.	16
210356	Height photocell	17
210360	Indicating roller	18
Recommended spare parts		19

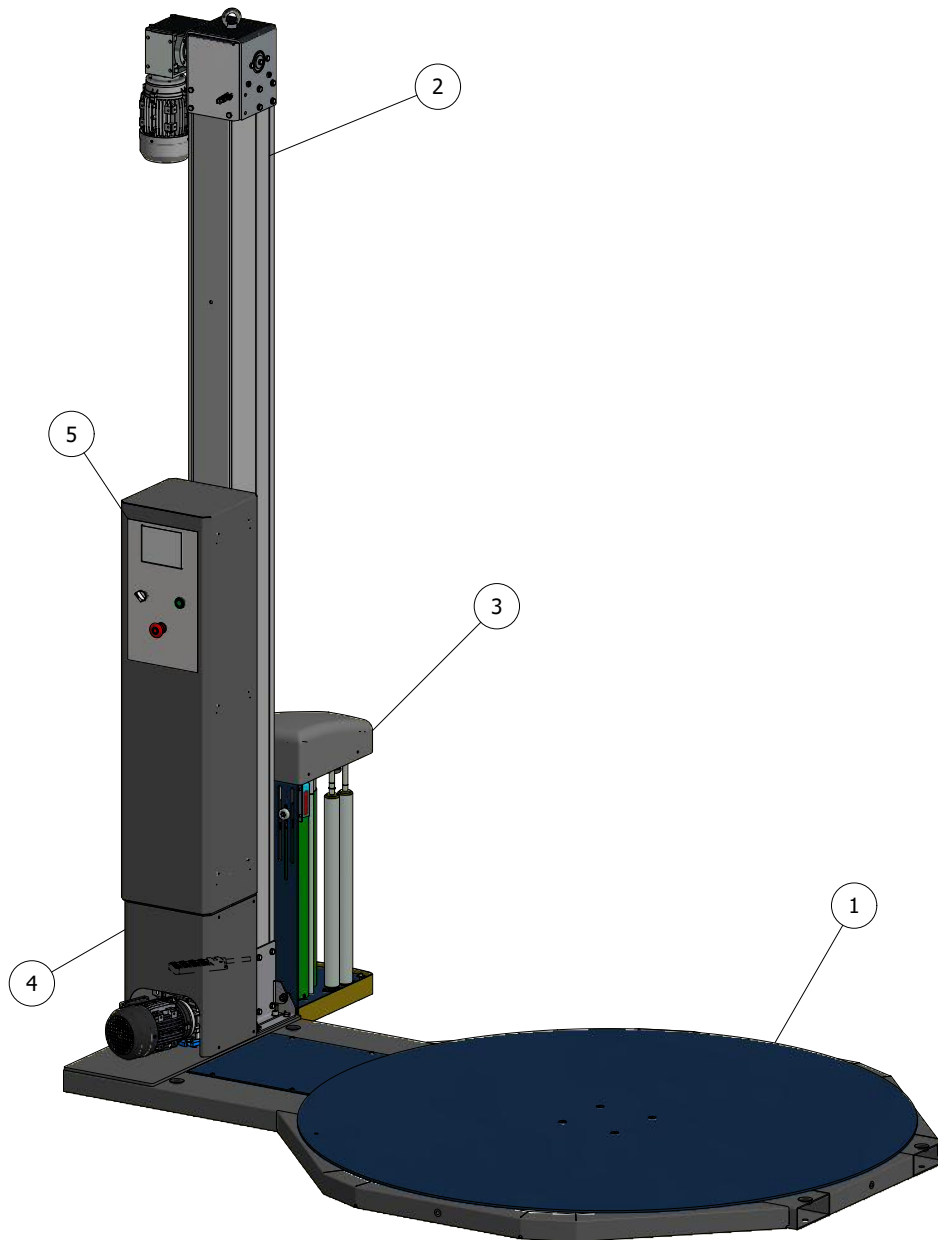
Rev

A • Initial release

Date

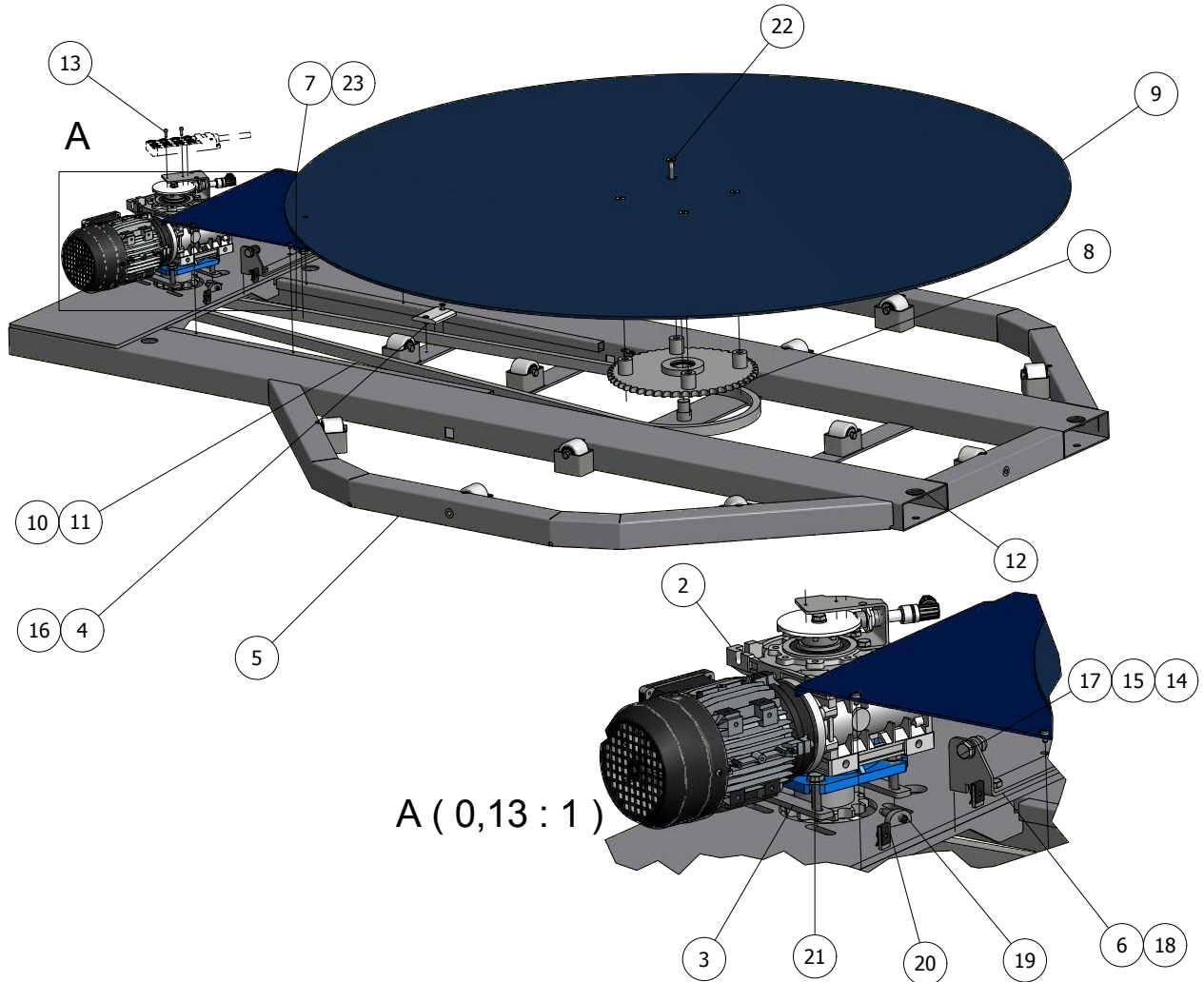
2018-01-22

CTT2301000 - CTT 230 LH=2200



POS.	PART NO.	DESCRIPTION	Q.	NOTICE
1	210510	BOTTOM UNIT 1650	1	
2	210541	MAST CTT205/215 LH=2200.	1	Mast
3	210544	AGGREGATE CTT215	1	Agg. CTT215
4	371094	HOOD	1	
5	755093	ELECTRICAL CABINET CTT230	1	

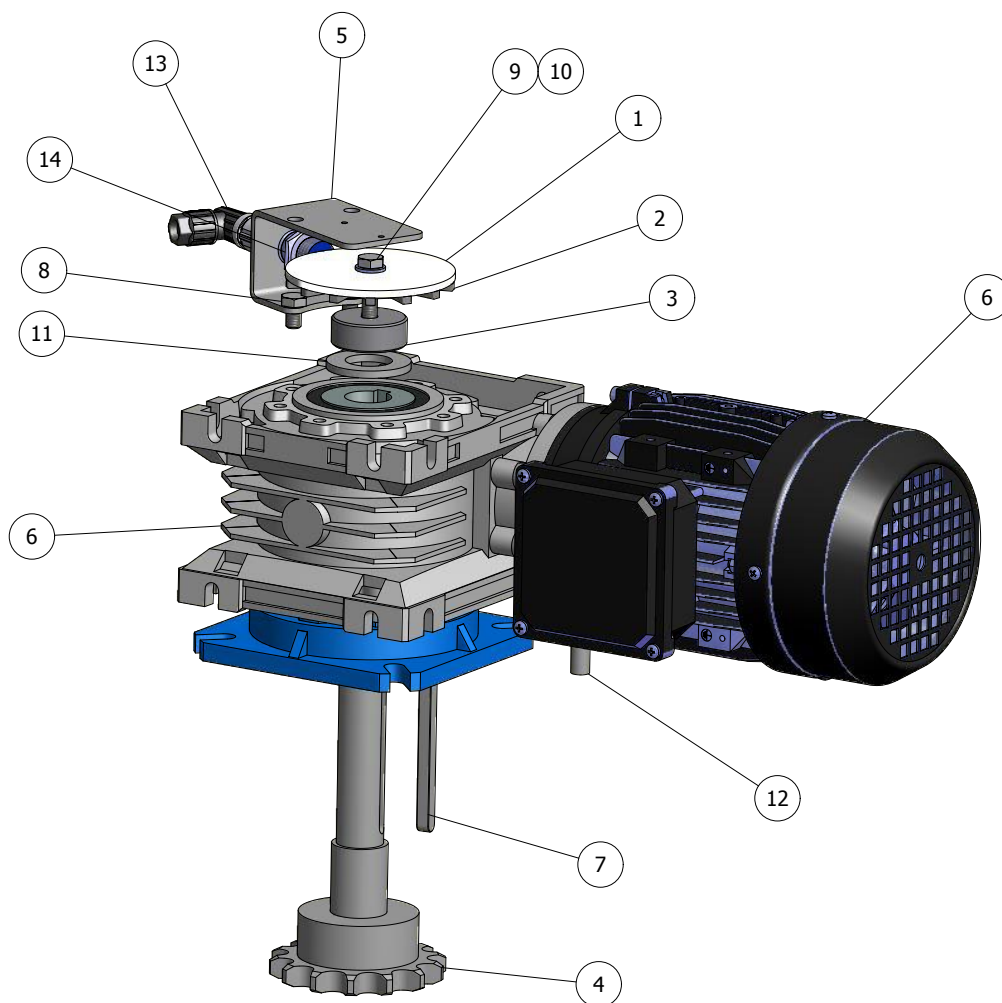
210510 - BOTTOM UNIT 1650



A (0,13 : 1)

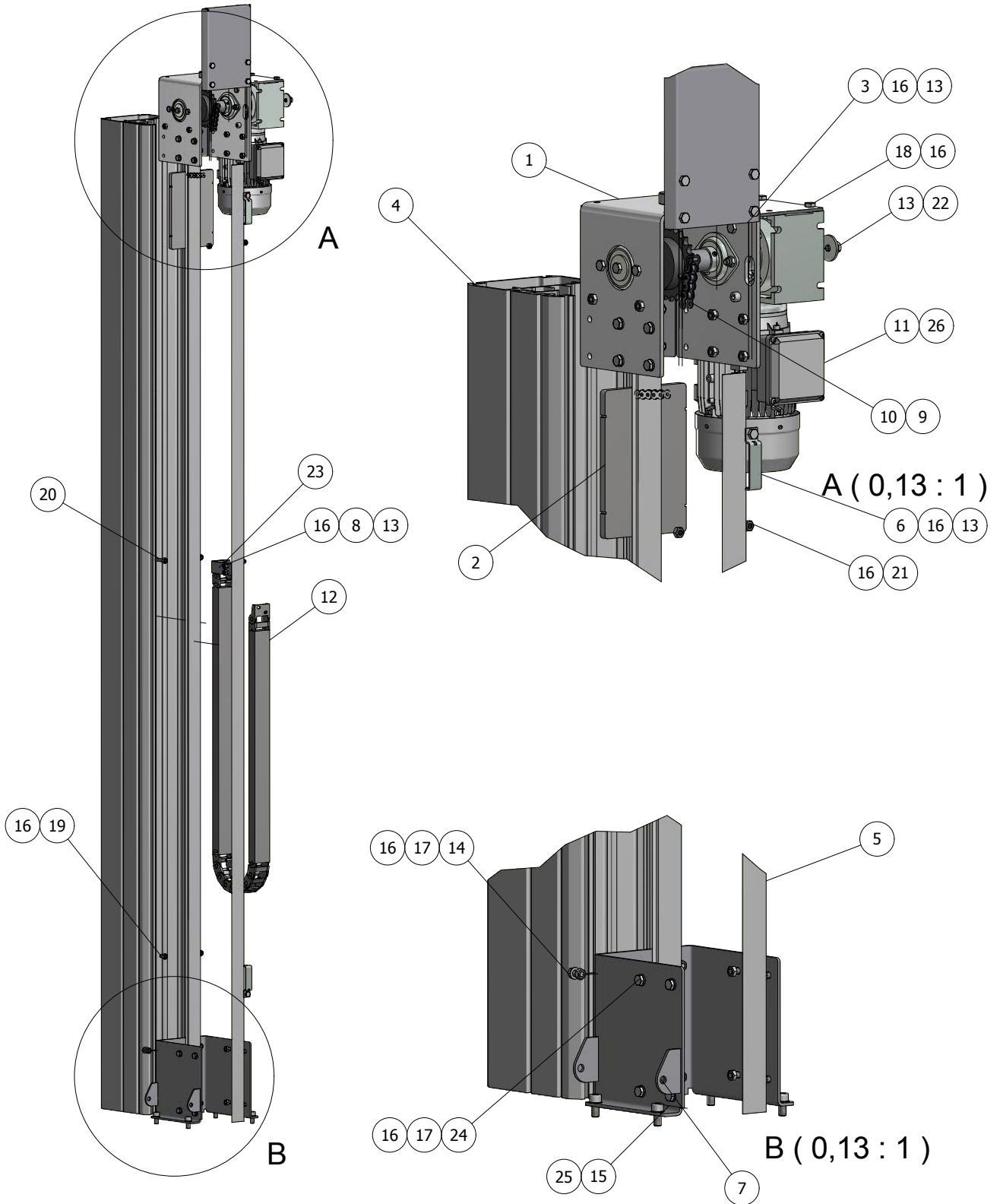
POS.	PART NO.	DESCRIPTION	Q.	NOTICE
1	210343	WHEEL	12	
2	210350	TURN TABLE DRIVE	1	
3	360006	BARNUT CC110	2	
4	370912	GLIDE PLATE	2	
5	370935	BOTTOM UNIT CTT 1650	1	
6	371024	LOWER BRACKET	1	
7	371136	COVER PLATE	1	
8	371584	SPROCKET 12B Z=50	1	
9	371585	TABLE Ø1640mm	1	
10	400741	CLOSING LINK RS12B 3/4"-7/16"	1	
11	401619	CHAIN 1640 TABLE	1	
12	401621	CAP 35mm	4	
13	460074	SCREW MC6S M4x12	2	
14	460192	LOCKING NUT M10	2	
15	460202	WASHER BRB 10.5	8	
16	460206	MF6S M6x14	4	
17	460309	SCREW M6S M10x25	2	
18	460311	SCREW M6S M10x16	2	
19	460537	STOP SCREW T6SS M8x40	1	
20	460684	CLIPS M5	4	
21	460702	M6S M10x35	4	
22	460705	SCREW M10 x 50	4	
23	460812	SCREW RXK 4,8x9,5	4	

210350 - TURN TABLE DRIVE



POS.	PART NO.	DESCRIPTION	Q.	NOTICE
1	320675	ROUND DISTANCE	1	
2	360015	INDICATEPLATE	1	
3	360025	DISTANCE	1	
4	370911	SHAFT AND SPROCKET	1	
5	371068	BRACKET	1	
6	401058	TABLE MOTOR INCL.GEARBOX	1	
7	401624	PARALLEL KEY A 8x9x100	1	
8	460015	SCREW M6S M8x12	2	
9	460020	SCREW M6SM8X35	1	
10	460201	WASHER BRB 8.4	1	
11	460716	WASHER 25x45x4	1	
12	751108	MOTOR CABLE	1	
13	900887	SENSOR CABLE	1	
14	901349	SENSOR	1	

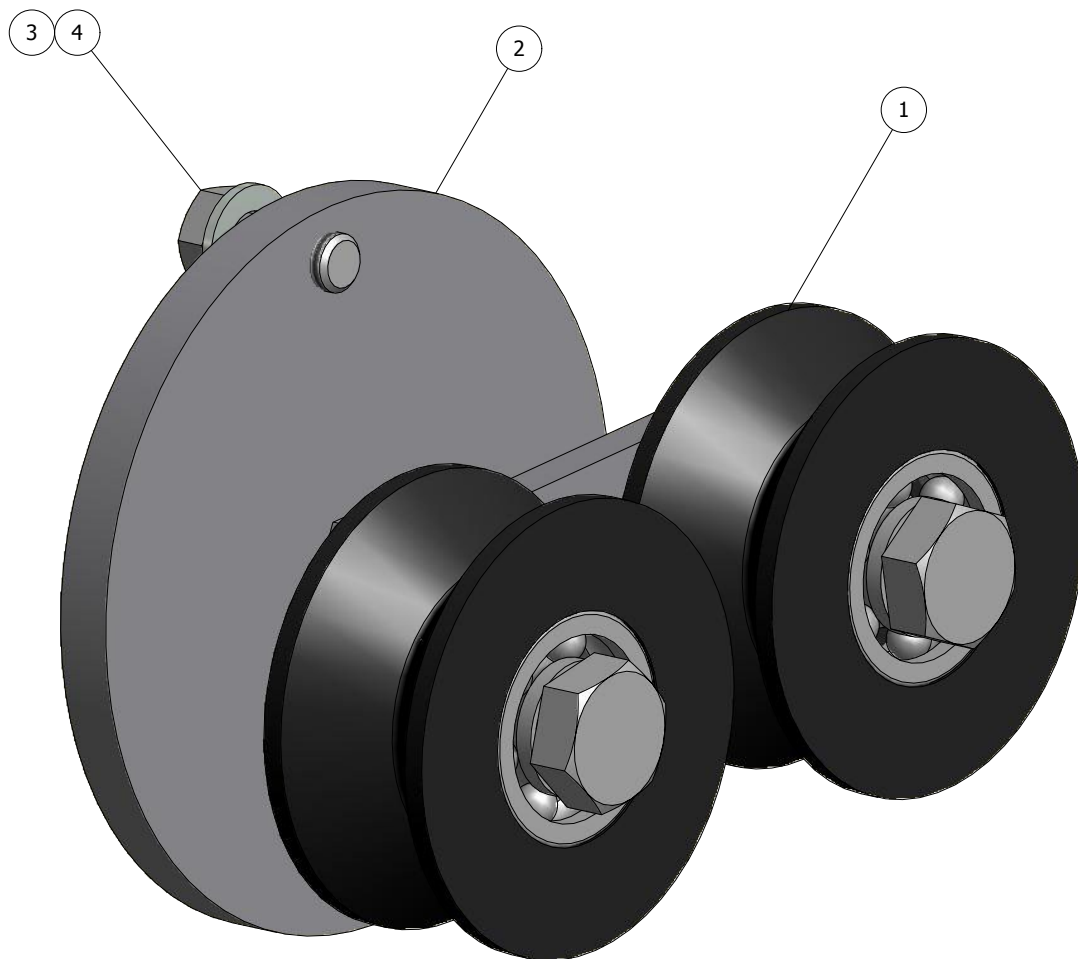
210541 - MAST CTT205/215 LH=2200.



210541 - MAST CTT205/215 LH=2200.

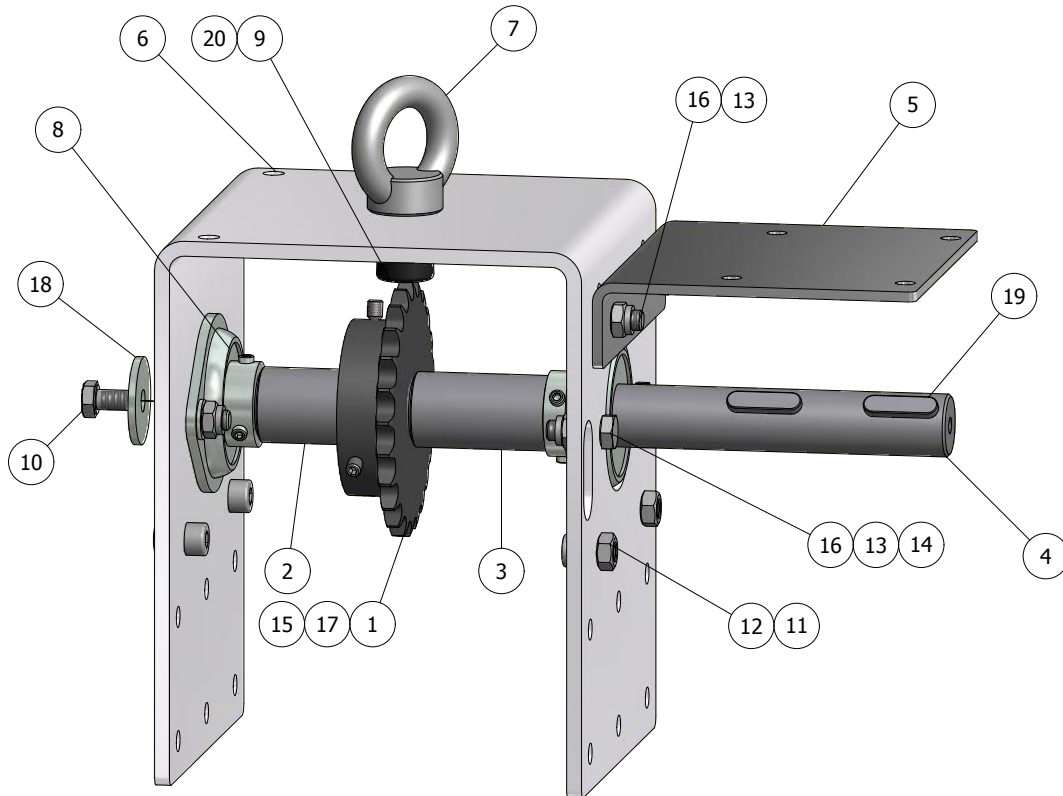
POS.	PART NO.	DESCRIPTION	Q.	NOTICE
1	210338	MAST TOP	1	
2	210538	WEIGHT FOR CTT MAST	1	
3	360011	COVER PLATE FOR MAST TOP	2	
4	360032	MAST 2600mm	1	
5	360033	COVER PLATE	2	
6	370774	LIMIT POSITION	2	
7	371026	MAST FOOT CT	1	
8	371482	HOLDER FOR CABLECHAIN	1	
9	400350	LOCKING LINK RS08B	1	
10	400683	ROLLER CHAIN RS 08B 177LINK	1	
11	401059	MAST MOTOR CTT	1	
12	401659	CABLE CHAIN	1	
13	460016	SCREW M8x14	13	
14	460017	SCREW M6S M8x16	4	
15	460122	SCREW MC6S M10x20	4	
16	460181	NUT M6M 8	39	
17	460201	WASHER BRB 8.4	20	
18	460239	SCREW M6S M8x22	2	
19	460259	STOP SCREW MSK6SS M8x20	2	
20	460260	STOP SCREW MSK6SS M8x40	2	
21	460270	MSK6SS M8x10	2	
22	460540	WASHER SRKB9x35x3	1	
23	460563	SCREW K6S M6x8	2	
24	460749	SCREW M6S M8x18	16	
25	460801	TOOTH LOCK WASHER	4	
26	751109	MOTOR CABLE	1	

210430 - CARRIAGE



POS.	PART NO.	DESCRIPTION	Q.	NOTICE
1	220131	WHEEL COMPLETE	2	
2	371541	CARRIAGE	1	
3	460201	WASHER BRB 8.4	2	
4	460749	SCREW M6S M8x18	2	

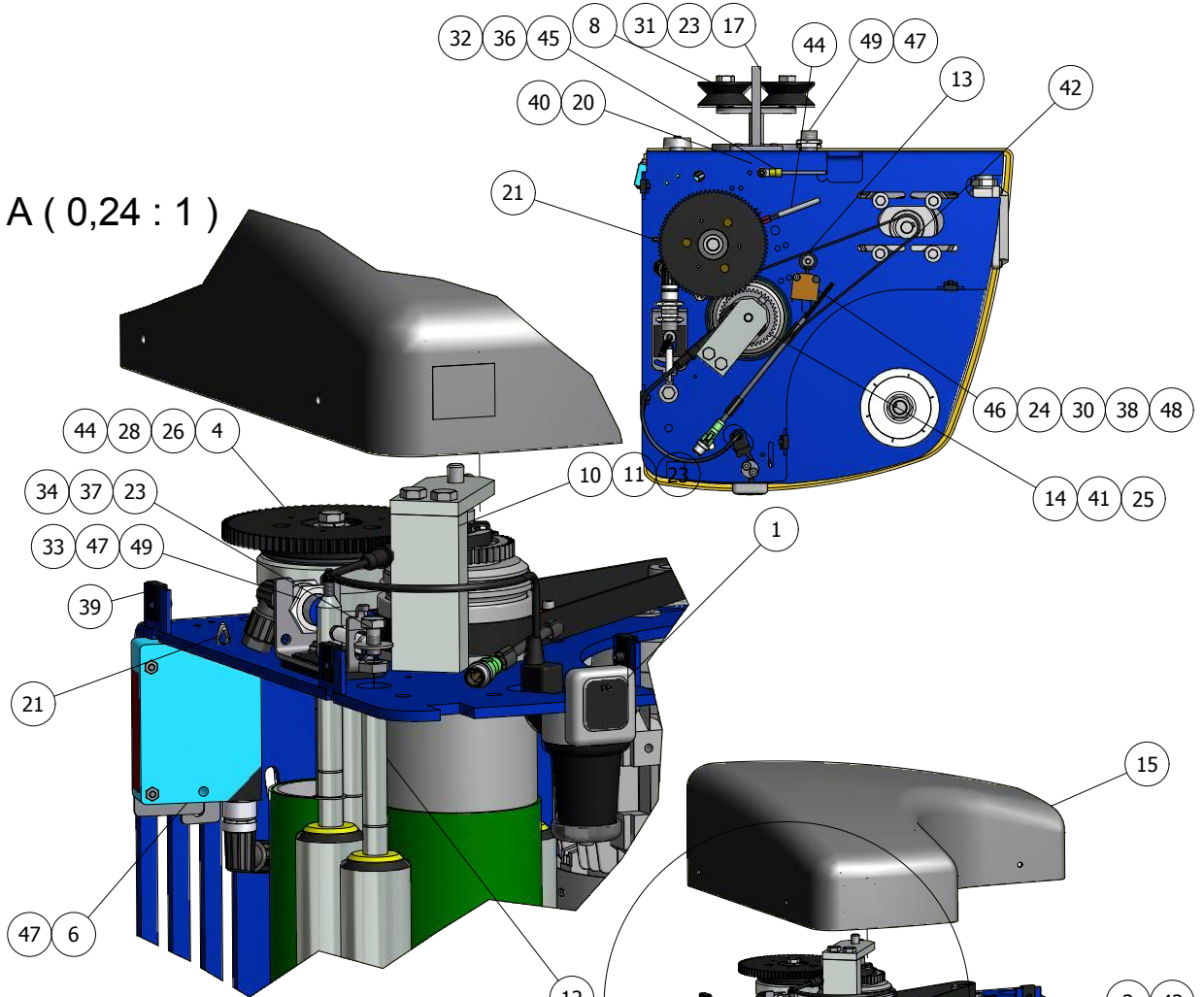
210338 - MAST TOP



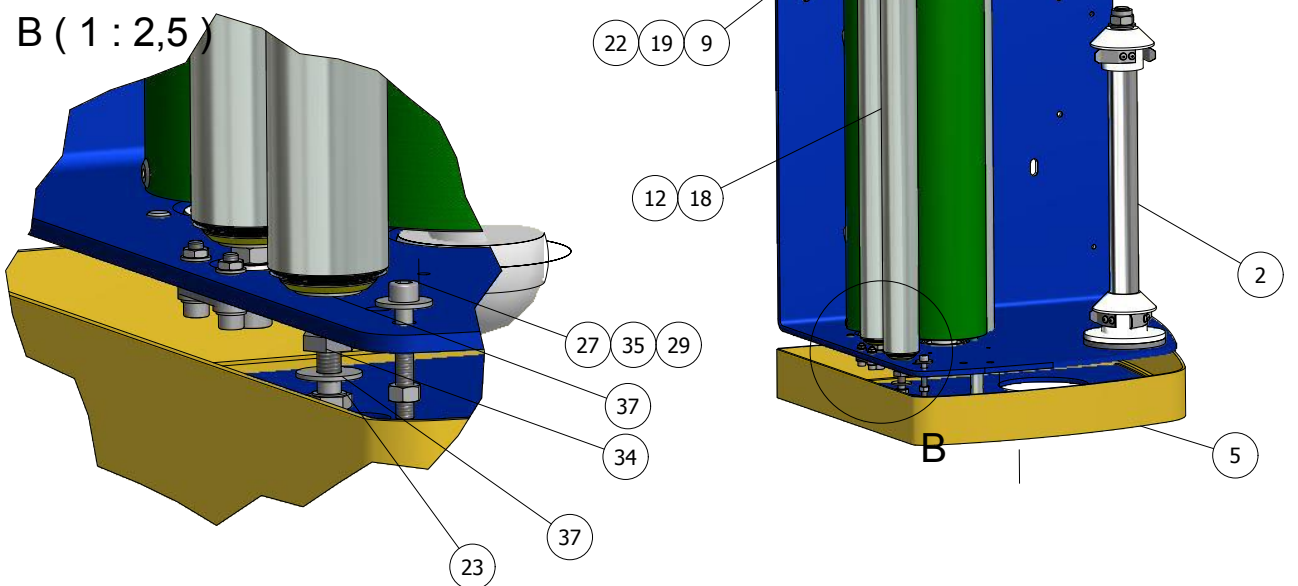
POS.	PART NO.	DESCRIPTION	Q.	NOTICE
1	360004	SPROCKET FOR MAST 24z	1	
2	360060	DISTANCE 1 FOR TRANSMISSON	1	
3	360061	DISTANCE 2 FOR TRANSMISSON	1	
4	370869	SHAFT TOP	1	
5	370873	BRACKET	1	
6	371126	MAST TOP	1	
7	400244	LIFTING EYE BOLT M12	1	
8	400859	FLANGE BEARING	2	
9	400860	CAP FOR CHAIN	1	
10	460016	SCREW M8x14	1	
11	460107	SCREW MC6S M8x12	4	
12	460181	NUT M6M 8	4	
13	460191	LOCKING NUT M8	6	
14	460201	WASHER BRB 8.4	3	
15	460216	SHAFT KEY 8x7x20	1	
16	460239	SCREW M6S M8x22	6	
17	460254	MSK6SS 6x10	2	
18	460540	WASHER SRKB9x35x3	1	
19	460647	SHAFT KEY 8 x 7 x 30	2	
20	460692	LOCKING NUT M12 L	1	

210544 - AGGREGATE CTT215

A (0,24 : 1)



B (1 : 2,5)



210544 - AGGREGATE CTT215

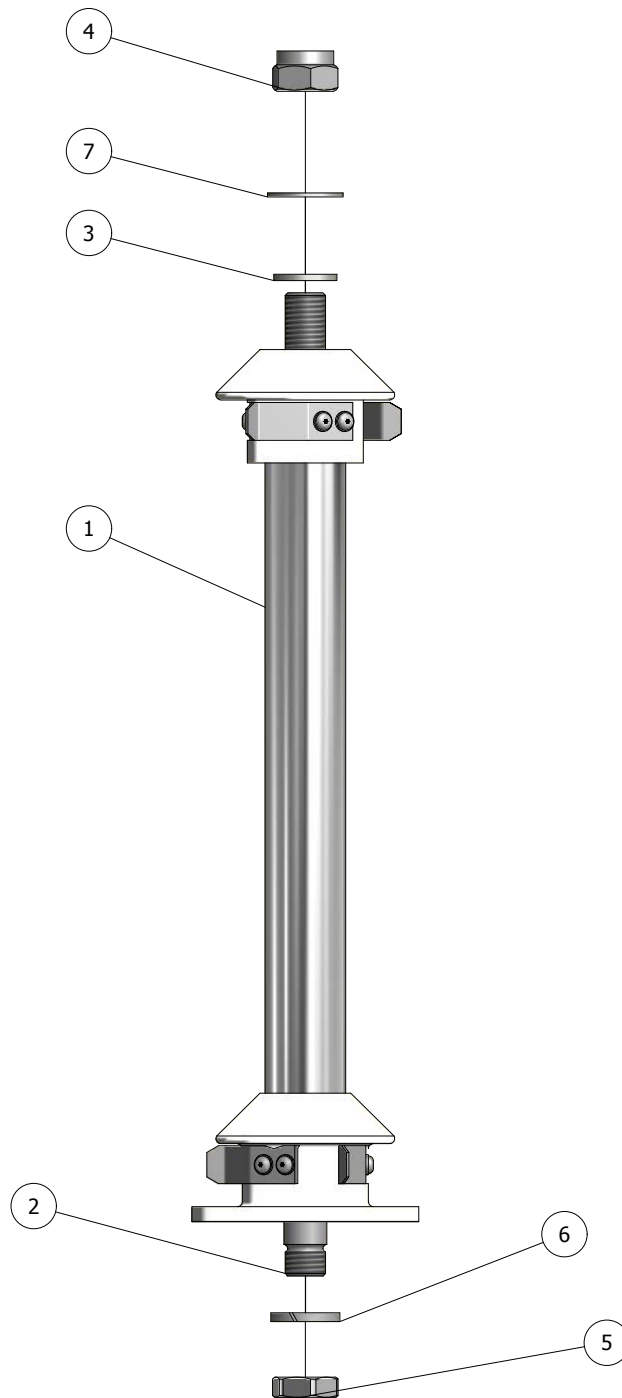
POS.	PART NO.	DESCRIPTION	Q.	NOTICE
1	200422	SPEED SHIFT ASSY.	1	
2	210226	BOBBIN HOLDER ASSY.	1	
3	210227	ELECTRICAL MOTOR ASSY.	1	
4	210261	CLUTCH ROLLER	1	
5	210300	PROTECTIVE PLATE ASSY.	1	
6	210356	HEIGHT PHOTOCCELL	1	
7	210360	INDICATING ROLLER	1	
8	210430	CARRIAGE	2	
9	260006	PRESTRECH ROLLER	1	
10	310208	HOLDER PLATE	1	
11	312050	HOLDER PLATE	1	
12	312097	DISTANCE SHAFT	2	
13	312164	PLASTIC BEARING	2	
14	312458	GEAR WHEEL z=42	1	
15	360031	COVER FOR PRESTRECH UNIT	1	
16	370014	FRAME	1	
17	371040	FRAME BRACKET	1	
18	400326	TRANSPORT ROLLER	1	
19	400328	FLANGE BEARING SLFL 20	1	
20	400497	CLIP FOR CABLE TIE	1	
21	401658	FASTENER	2	
22	460015	SCREW M6S M8x12	6	
23	460017	SCREW M6S M8x16	12	
24	460077	SCREW MC6S - M4 x 25	2	
25	460082	SCREW MC6S M5x20	1	
26	460084	SCREW MC6S M5x30	1	
27	460102	SCREW MC6S - M6 x 40	2	
28	460179	NUT M5	1	
29	460180	NUT M6M M6	2	
30	460182	NUT M6M4	2	
31	460201	WASHER BRB 8.4	4	
32	460280	WASHER AZ 5,3x10	1	
33	460334	WASHER PS 18x25x1	2	
34	460535	ML6M M10	2	
35	460541	WASHER NB 7X19X1,5	2	
36	460561	SCREW K6S M5x8	1	
37	460574	WASHER NB 8x22x1,5	3	
38	460589	WASHER BRB 4,3	2	
39	460684	CLIPS M5	4	
40	460698	SCREW K6S M4x6	1	
41	460737	FRP 4x4	3	
42	400734	BELT	1	
43	751110	MOTOR CABLE	1	
44	751114	MAGNETIC CLUTCH CABLE	1	
45	751120	PE CABLE	1	
46	900148	SECURITY SWITCH	1	
47	900886	SENSOR CABLE	4	
48	900890	SECURITY SWITCH CABLE	1	
49	901349	SENSOR	3	

200422 - SPEED SHIFT ASSY.



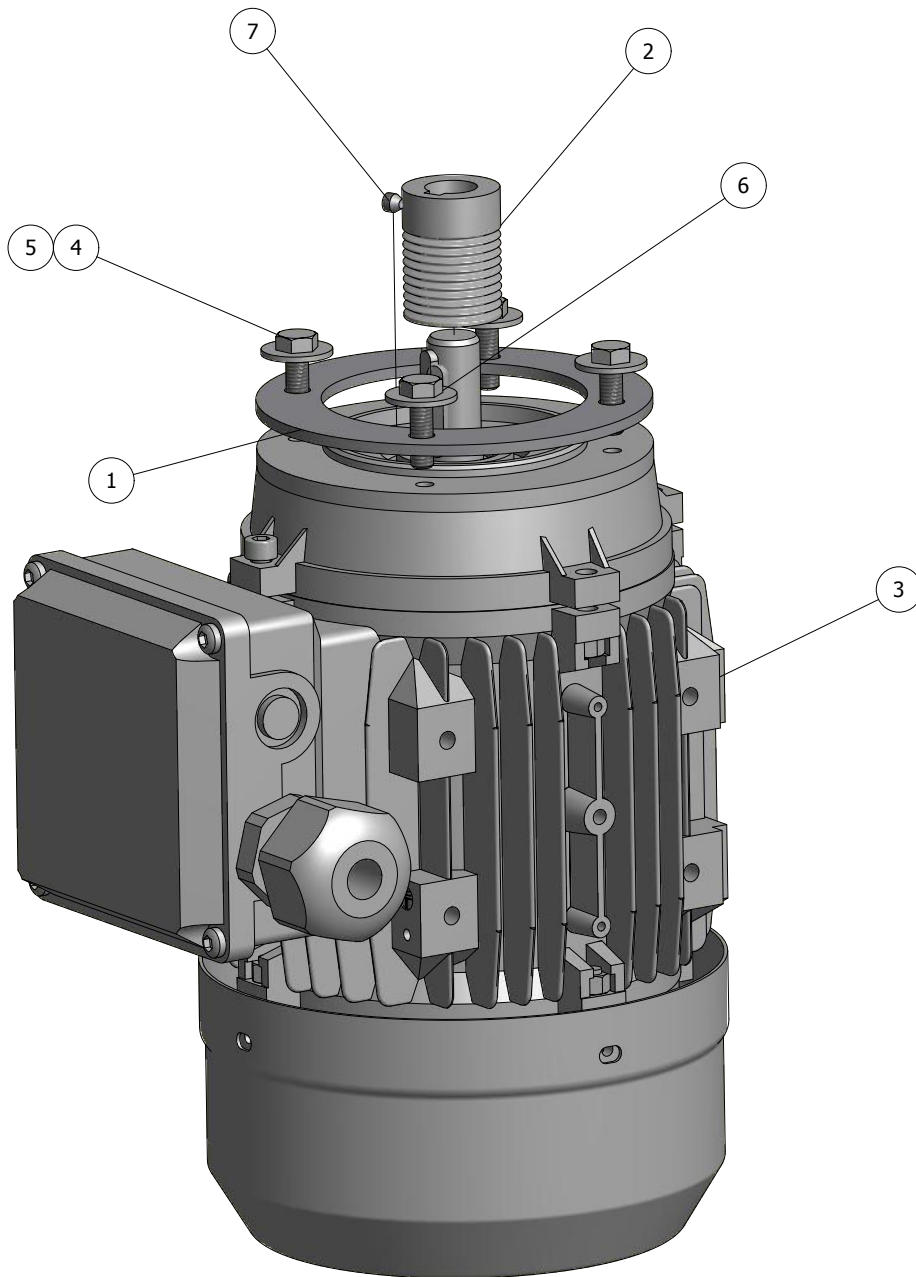
POS.	PART NO.	DESCRIPTION	Q.	NOTICE
1	360019	ENDKNOB HANDLE 8-SPEED	1	
2	360026	SHAFT FOR HANDLE 8-SPEED	1	
3	400407	LOCKING RING	1	
4	400680	GEAR HANDLE 8-SPEED	1	
5	400682	GEAT LEVER 8-SPEED	1	
6	460081	SCREW MC6S 5x16	2	
7	460199	WASHER BRB 5.3	2	
8	460534	WASHER SKRRB 7x22x1,5	1	
9	460562	SCREW KS6 M5x10	1	

210226 - BOBBIN HOLDER ASSY.



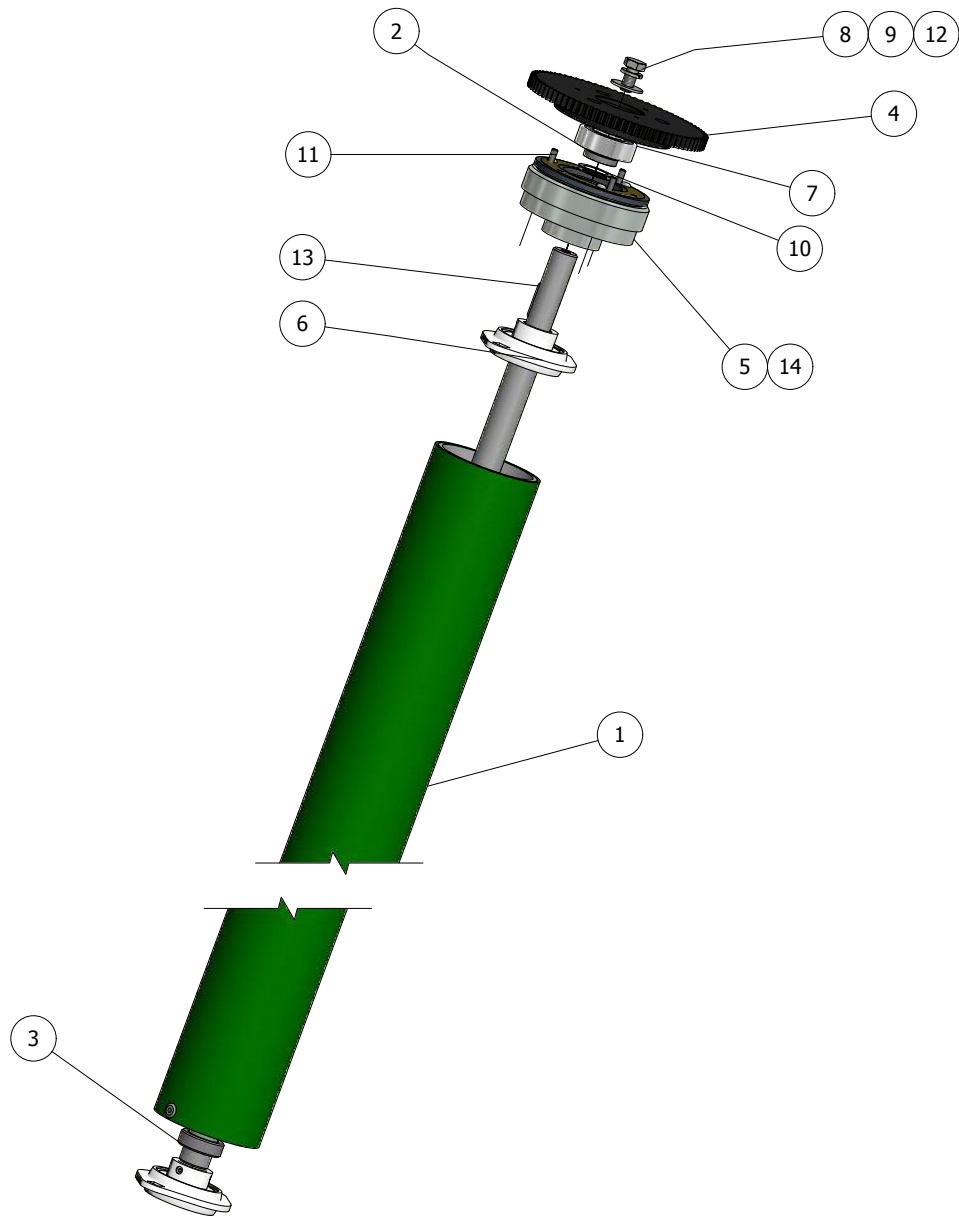
POS.	PART NO.	DESCRIPTION	Q.	NOTICE
1	210159	BOBBIN HOLDER	1	
2	312157	SHAFT FOR FILMROLLER	1	
3	312158	WASHER FOR BOBBIN HOLDER	1	
4	460195	LOCKINGNUT M16	1	
5	460215	NUT ML6 M16	1	
6	460292	WASHER FBB-B A16	1	
7	460573	WASHER KKB16	1	

210227 - ELECTRICAL MOTOR ASSY.



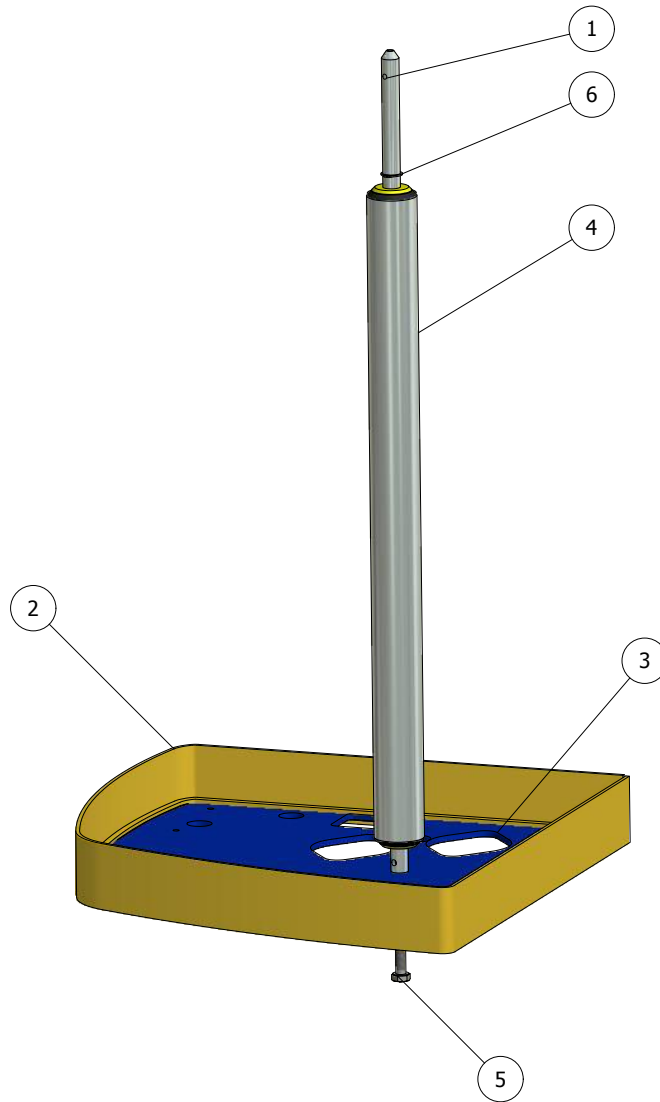
POS.	PART NO.	DESCRIPTION	Q.	NOTICE
1	301528	DISTANCE PRESTRETCH MOTOR	1	
2	312051	BELT PULLEY AGGREGATE	1	
3	400325	ELECTRIC MOTOR	1	
4	460007	SCREW M6S M6x20	4	
5	460541	WASHER NB 7X19X1,5	4	
6	460609	SHAFT KEY	1	
7	460671	SCREW SK6SS - M5 x 5	1	

210261 - CLUTCH ROLLER



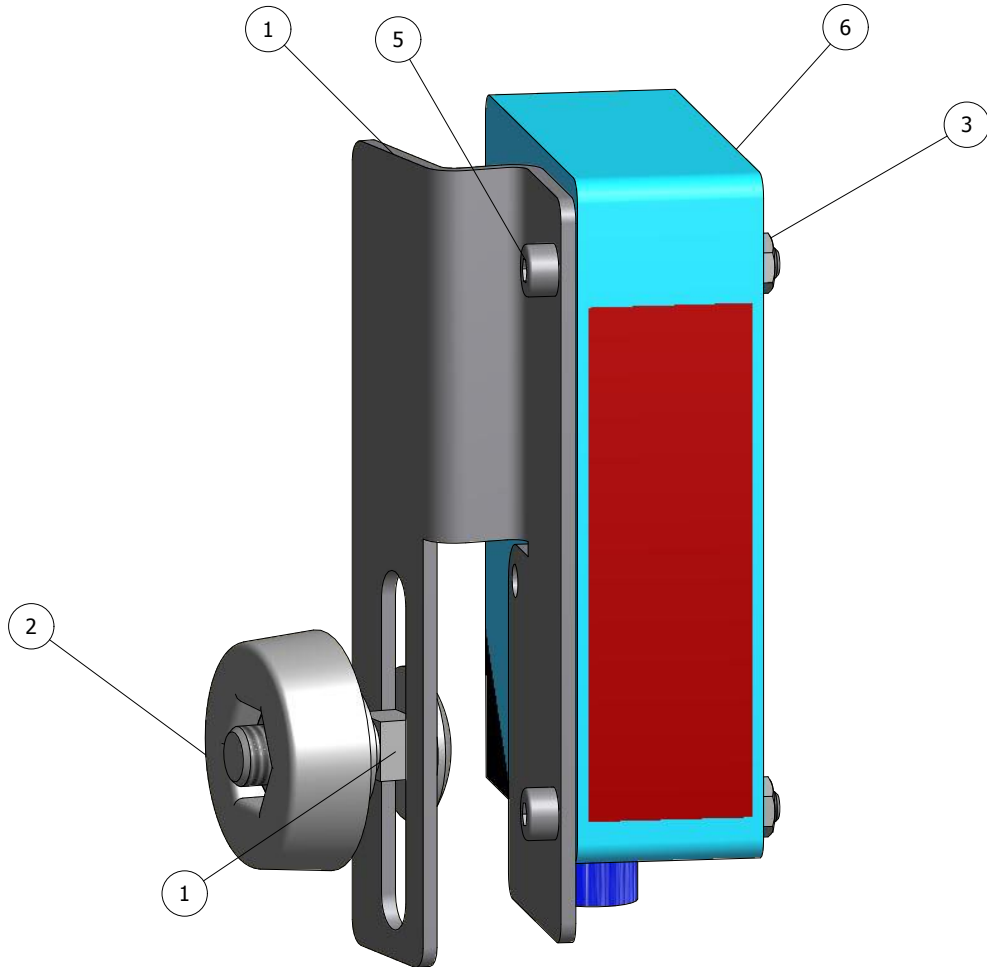
POS.	PART NO.	DESCRIPTION	Q.	NOTICE
1	260007	CLUTCH ROLLER	1	
2	310106	DISTANCE	1	
3	312415	DISTANCE RING	1	
4	312459	GEAR WHEEL z=81	1	
5	400327	ELECTROMAGNETIC CLUTCH	1	
6	400328	FLANGE BEARING SLFL20-A	2	
7	400329	BEARING	1	
8	460017	SCREW M6S M8x16	1	
9	460288	WASHER FBB 8,1	1	
10	460323	WASHER PS 17X24X0,2	2	
11	460552	SCREW ML6S M4x12	3	
12	460574	WASHER NB 8x22x1,5	1	
13	460609	SHAFT KEY	1	
14	901678	FLAT CONNECTOR A1507H	2	

210300 - PROTECTIVE PLATE ASSY.



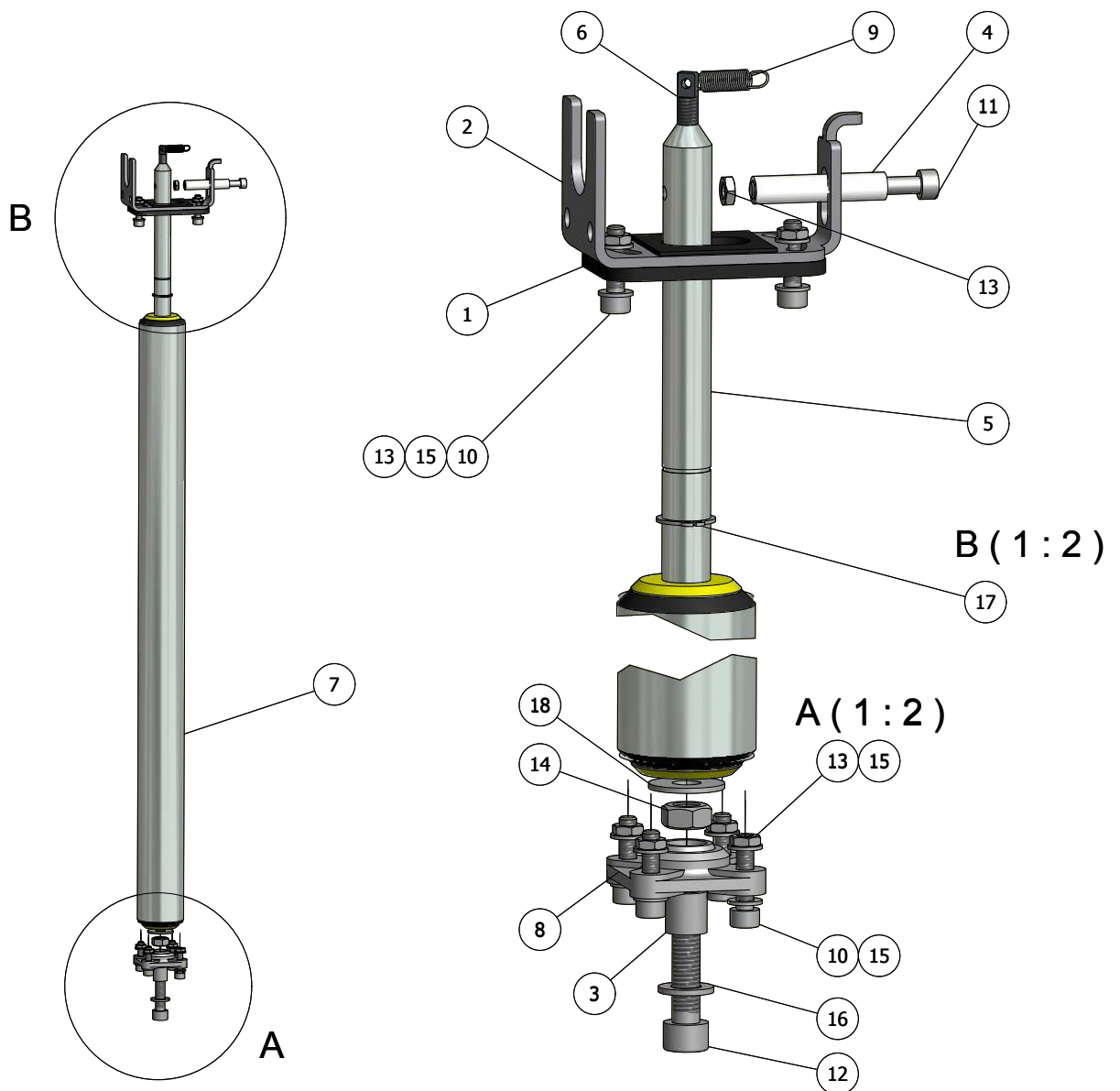
POS.	PART NO.	DESCRIPTION	Q.	NOTICE
1	312094	SHAFT	1	
2	312095	PROTECTION PROFILE	1	
3	370017	PROTECTION PLATE	1	
4	400326	TRANSPORT ROLLER	1	
5	460018	SCREW M6S M8x20	1	
6	460423	RETANING RING	1	

210356 - HEIGHT PHOTOCELL



POS.	PART NO.	DESCRIPTION	Q.	NOTICE
1	371034	PHOTOCELL BRACKET	1	
2	400351	KNOB M8	1	
3	460182	NUT M6M4	2	
4	460549	SCREW MVBF 8x25	1	
5	460613	SCREW MC6S M4x30	2	
6	900660	PHOTOCELL	1	

210360 - INDICATING ROLLER



POS.	PART NO.	DESCRIPTION	Q.	NOTICE
1	301572	GUIDE FOR DANCING ROLLER	1	
2	301573	SENSOR HOLDER	1	
3	301595	DISTANCE	1	
4	301596	TUBE Ø8mm l=40	1	
5	312094	SHAFT	1	
6	400269	SCREW FOR SPRING FF M6x25	1	
7	400326	TRANSPORT ROLLER	1	
8	400920	FLANGE BEARING	1	
9	400931	SPRING	1	
10	460082	SCREW MC6S M5x20	6	
11	460087	MC6S M5x50	1	
12	460112	SCREW MC6S M8x30	1	
13	460179	NUT M5	7	
14	460181	NUT M6M 8	1	
15	460199	WASHER BRB 5.3	12	
16	460201	WASHER BRB 8.4	1	
17	460423	RETANING RING	1	
18	460574	WASHER NB 8x22x1,5	1	

CTT 230 - RECOMMENDED SPARE PARTS

PART NO	REV	DESCRIPTION	MAXI QTY	MIDI QTY	MINI QTY
210336 - Mast LH 2200mm					
400350		Locking link RS08B	1		
400683		Roller chain RS08B, 177 links	1		
401632		Cable chain	1		
401646		Flange bearing	1		
210370 - Mast LH 2600mm					
400350		Locking link RS08B	1		
400684		Roller chain RS08B, 208 links	1		
401632		Cable chain	1		
401646		Flange bearing	1		
210370 - Mast LH 3000mm					
400350		Locking link RS08B	1		
401700		Roller chain RS08B, 240 links	1		
401660		Cable chain	1		
401646		Flange bearing	1		
220130 - Carriage assy.					
220131		Wheel complete	4	4	
210338 - Mast top					
360004		Sprocket for mast	1		
400859		Flange bearing	2		
210339 - Bottom unit Ø1650					
210343		Wheel	12	12	12
370912		Glide plate	2		
370938		Sprocket	1		
400741		Locking link RS12B	1		
401619		Chain RS12B	1		
401622		Bearing	1		
210369 - Bottom unit Ø2200					
210343		Wheel	24	24	24
370912		Glide plate	2		
370938		Sprocket	1		
400741		Locking link RS12B	1		
401633		Chain RS12B	1		
401622		Bearing	1		
210350 - Turn table drive					
370911		Shaft incl. sprocket	1		
401058		Table motor incl. gearbox	1		
210345 - Aggregate CTT 215					
200422		Speed shift assy	1		
210261		Clutch roller	1		
210360		Indicating roller	1		
260006		Prestretch roller	1		
312164		Plastic bearing	2		
312458		Gear wheel	1	1	
400326		Transport roller	1		
400328		Flange bearing SLFL20	1		
400734		Belt	1	1	1
901349		Sensor	1	1	
210226 - Bobin holder assy.					
210159		Bobin holder	1		
210227 - Prestretch motor					
312051		Belt pulley aggregate	1	1	
400325		Electric motor	1		
210261 - Clutch roller					
260007		Clutch roller	1		
312459		Gear wheel	1	1	1
400327		Electromagnetic clutch	1		
400328		Flange bearing SLFL20-A	2		
400329		Bearing	1		
210300 - Protective plate assy.					
400326		Transport roller	1		
210360 - Indicating roller					
400326		Transport roller	1		
400920		Flange bearing	1		
400931		Spring	1	1	1

Note:

MAXI: Recommended parts that reseller should have on stock.

MIDI: Recommended parts that end customer should have on stock.

MINI: Recommended parts that end customer shall have on stock.

*) For other heights than standard please state your machine number when ordering



Praktyczne rozwiązania w systemach pakowania

DI-ZET Sp. J.
Ul. Patriotów 24
04-933 Warszawa

tel. 22/517-35-80/90
e-mail: di-zet@di-zet.pl