



Spare parts 162101000

**CTT 210**



rev. A

**CYKLOP**<sup>®</sup>  
GLOBAL PACKAGING SOLUTIONS

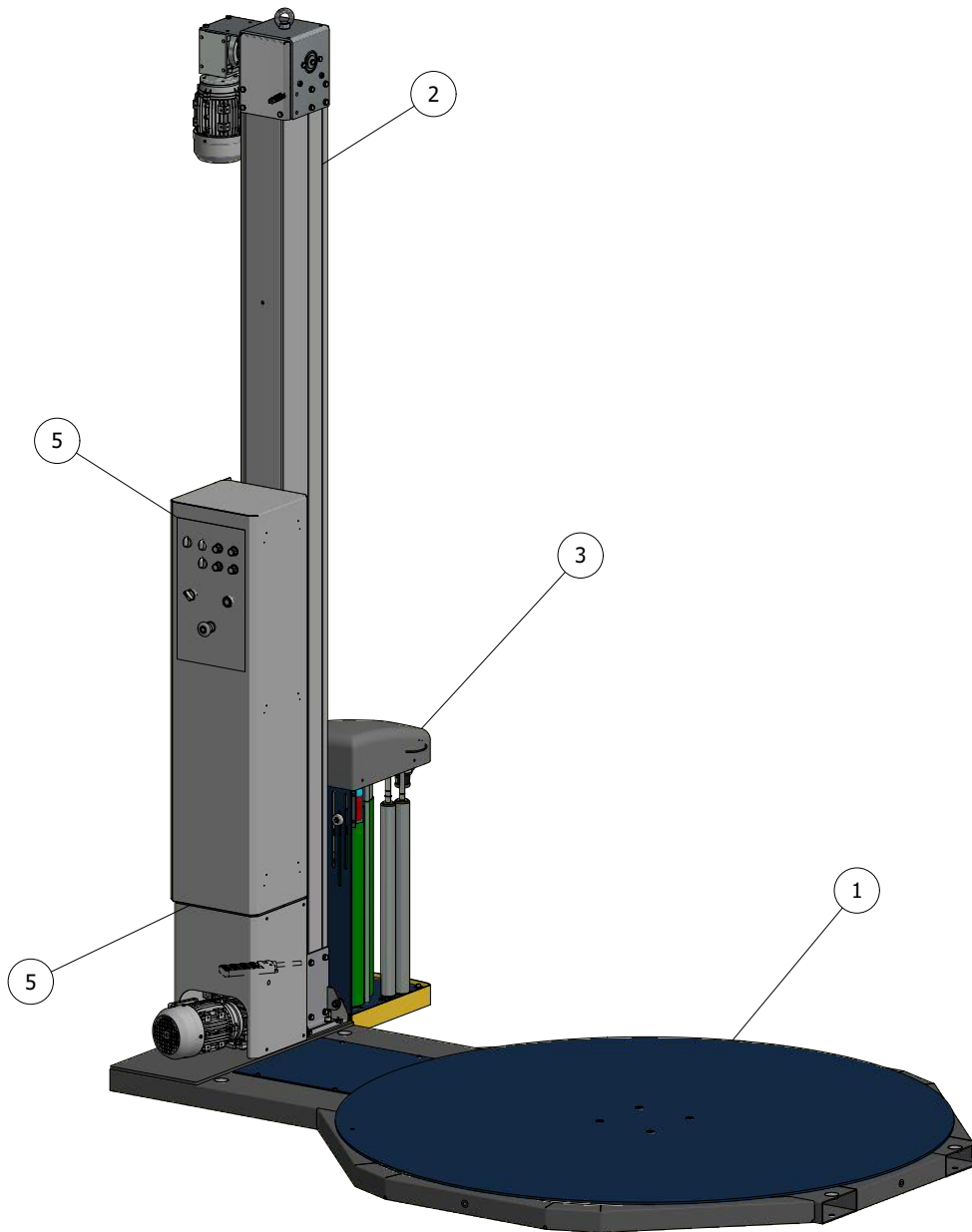
STRAPPING  
WRAPPING  
CODING  
TAPING

<b>Part No.</b>	<b>Description</b>	<b>Page</b>
162101000	CTT 210 LH=2200	3
210510	Bottom unit 1650	4
210350	Turn table drive	5
210541	Mast 205/215 LH=2200	6
210430	Carriage assy.	8
210338	Mast top	9
210554	Aggregate CTT210	10
200422	Speed shift assy.	12
210226	Bobbin holder assy.	13
260007	Clutch roller	14
210300	Protective plate assy.	15
210356	Height photocell	16

Rev  
A • Initial release

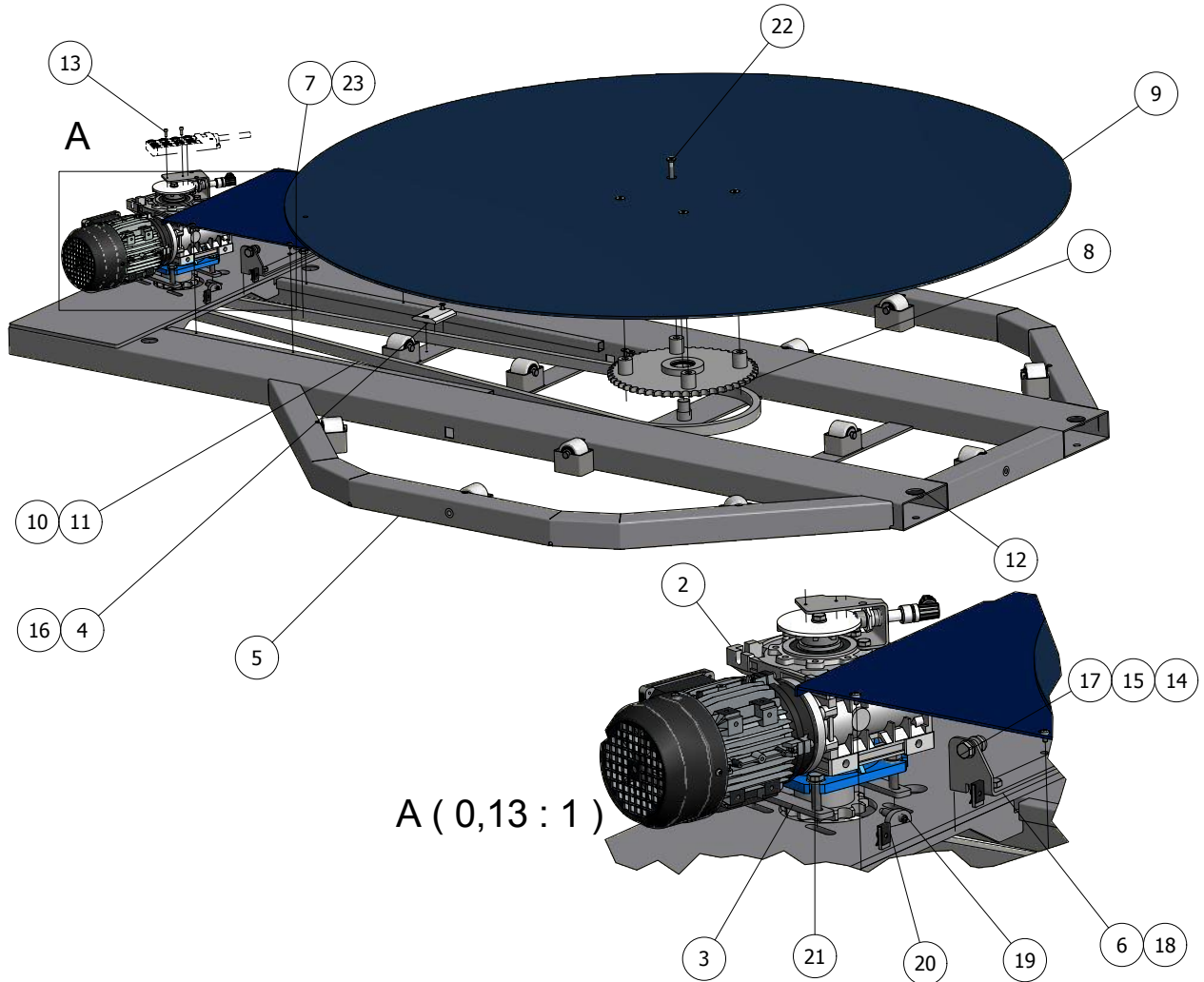
Date  
2017-12-08

# CTT2101000 - CTT 210 LH=2200



POS.	PART NO.	DESCRIPTION	Q.	NOTICE
1	210510	BOTTOM UNIT 1650	1	
2	210541	MAST CTT205/215 LH=2200.	1	Mast
3	210554	AGGREGATE CTT210	1	Agg. CTT210
4	371094	HOOD	1	
5	755098	ELECTRICAL CABINET CTT 210	1	

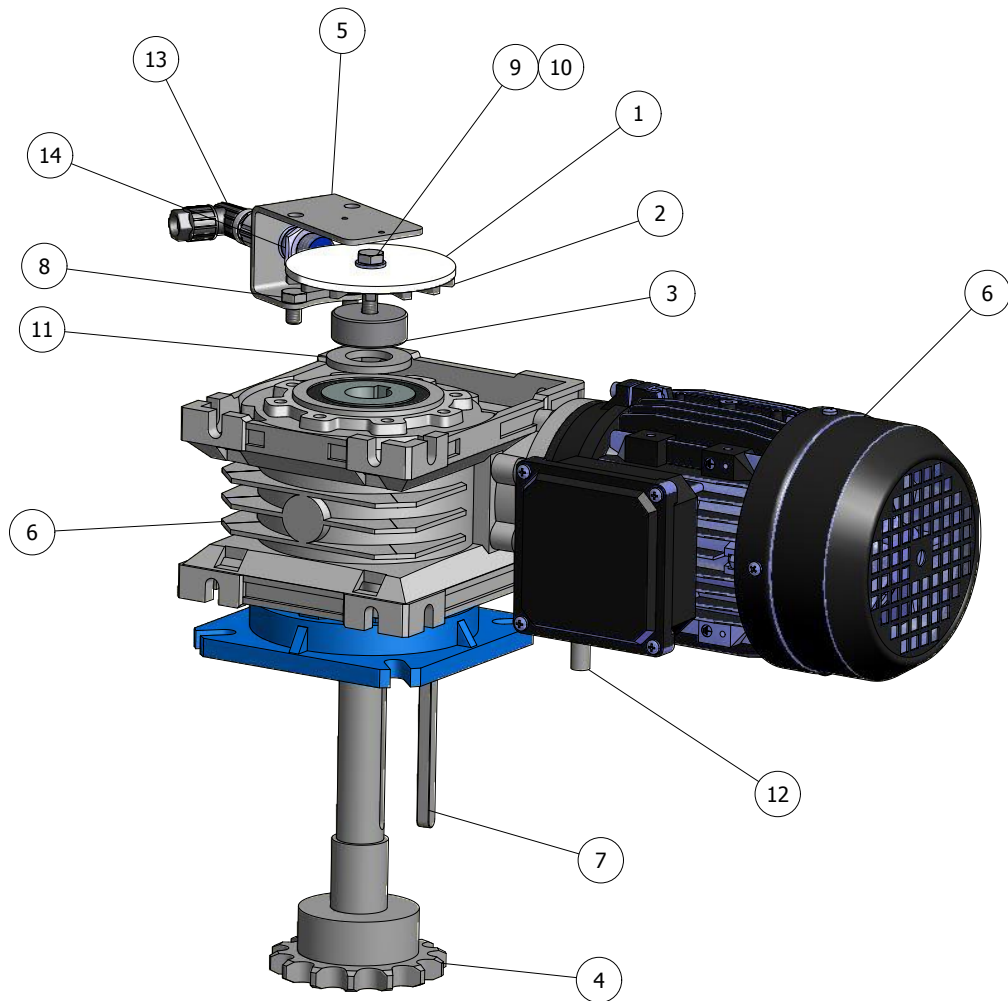
# 210510 - BOTTOM UNIT 1650



A ( 0,13 : 1 )

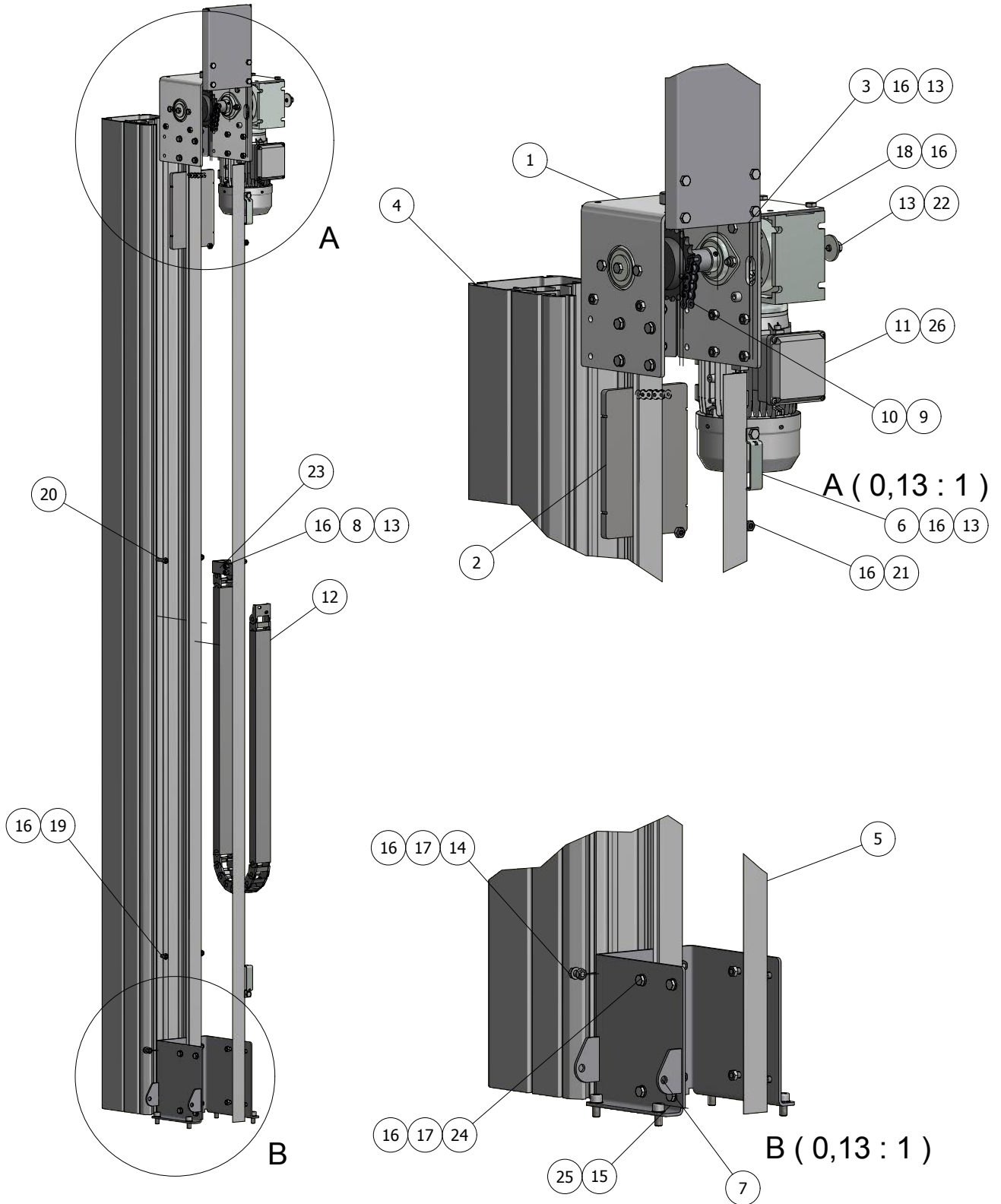
POS.	PART NO.	DESCRIPTION	Q.	NOTICE
1	210343	WHEEL	12	
2	210350	TURN TABLE DRIVE	1	
3	360006	BARNUT CC110	2	
4	370912	GLIDE PLATE	2	
5	370935	BOTTOM UNIT CTT 1650	1	
6	371024	LOWER BRACKET	1	
7	371136	COVER PLATE	1	
8	371584	SPROCKET 12B Z=50	1	
9	371585	TABLE Ø1640mm	1	
10	400741	CLOSING LINK RS12B 3/4"-7/16"	1	
11	401619	CHAIN 1640 TABLE	1	
12	401621	CAP 35mm	4	
13	460074	SCREW MC6S M4x12	2	
14	460192	LOCKING NUT M10	2	
15	460202	WASHER BRB 10.5	8	
16	460206	MF6S M6x14	4	
17	460309	SCREW M6S M10x25	2	
18	460311	SCREW M6S M10x16	2	
19	460537	STOP SCREW T6SS M8x40	1	
20	460684	CLIPS M5	4	
21	460702	M6S M10x35	4	
22	460705	SCREW M10 x 50	4	
23	460812	SCREW RXK 4,8x9,5	4	

# 210350 - TURN TABLE DRIVE



POS.	PART NO.	DESCRIPTION	Q.	NOTICE
1	320675	ROUND DISTANCE	1	
2	360015	INDICATEPLATE	1	
3	360025	DISTANCE	1	
4	370911	SHAFT AND SPROCKET	1	
5	371068	BRACKET	1	
6	401058	TABLE MOTOR INCL. GEARBOX	1	
7	401624	PARALLEL KEY A 8x9x100	1	
8	460015	SCREW M6S M8x12	2	
9	460020	SCREW M6SM8X35	1	
10	460201	WASHER BRB 8.4	1	
11	460716	WASHER 25x45x4	1	
12	751108	MOTOR CABLE	1	
13	900887	SENSOR CABLE	1	
14	901349	SENSOR	1	

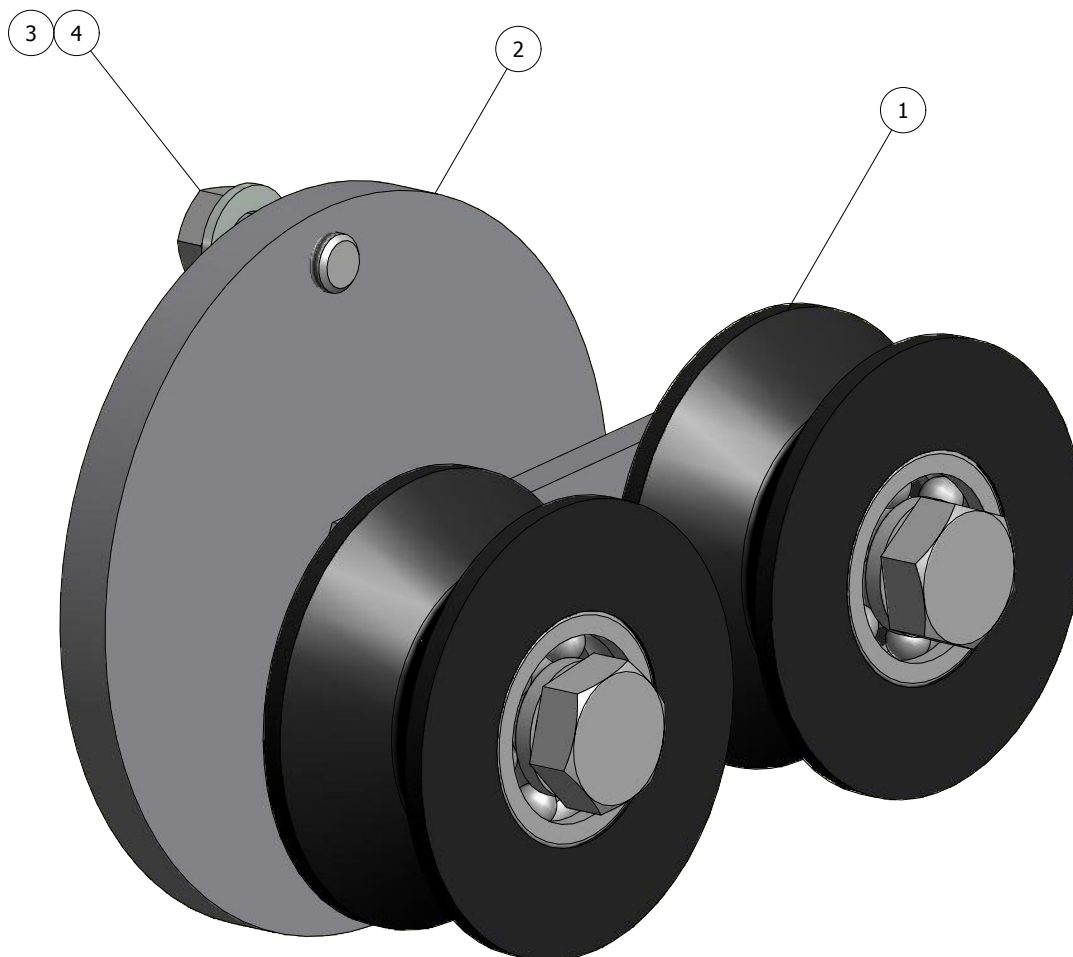
# 210541 - MAST CTT205/215 LH=2200.



# 210541 - MAST CTT205/215 LH=2200.

POS.	PART NO.	DESCRIPTION	Q.	NOTICE
1	210338	MAST TOP	1	
2	210538	WEIGHT FOR CTT MAST	1	
3	360011	COVER PLATE FOR MAST TOP	2	
4	360032	MAST 2600mm	1	
5	360033	COVER PLATE	2	
6	370774	LIMIT POSITION	2	
7	371026	MAST FOOT CT	1	
8	371482	HOLDER FOR CABLECHAIN	1	
9	400350	LOCKING LINK RS08B	1	
10	400683	ROLLER CHAIN RS 08B 177LINK	1	
11	401059	MAST MOTOR CTT	1	
12	401659	CABLE CHAIN	1	
13	460016	SCREW M8x14	13	
14	460017	SCREW M6S M8x16	4	
15	460122	SCREW MC6S M10x20	4	
16	460181	NUT M6M 8	39	
17	460201	WASHER BRB 8.4	20	
18	460239	SCREW M6S M8x22	2	
19	460259	STOP SCREW MSK6SS M8x20	2	
20	460260	STOP SCREW MSK6SS M8x40	2	
21	460270	MSK6SS M8x10	2	
22	460540	WASHER SRKB9x35x3	1	
23	460563	SCREW K6S M6x8	2	
24	460749	SCREW M6S M8x18	16	
25	460801	TOOTH LOCK WASHER	4	
26	751109	MOTOR CABLE	1	

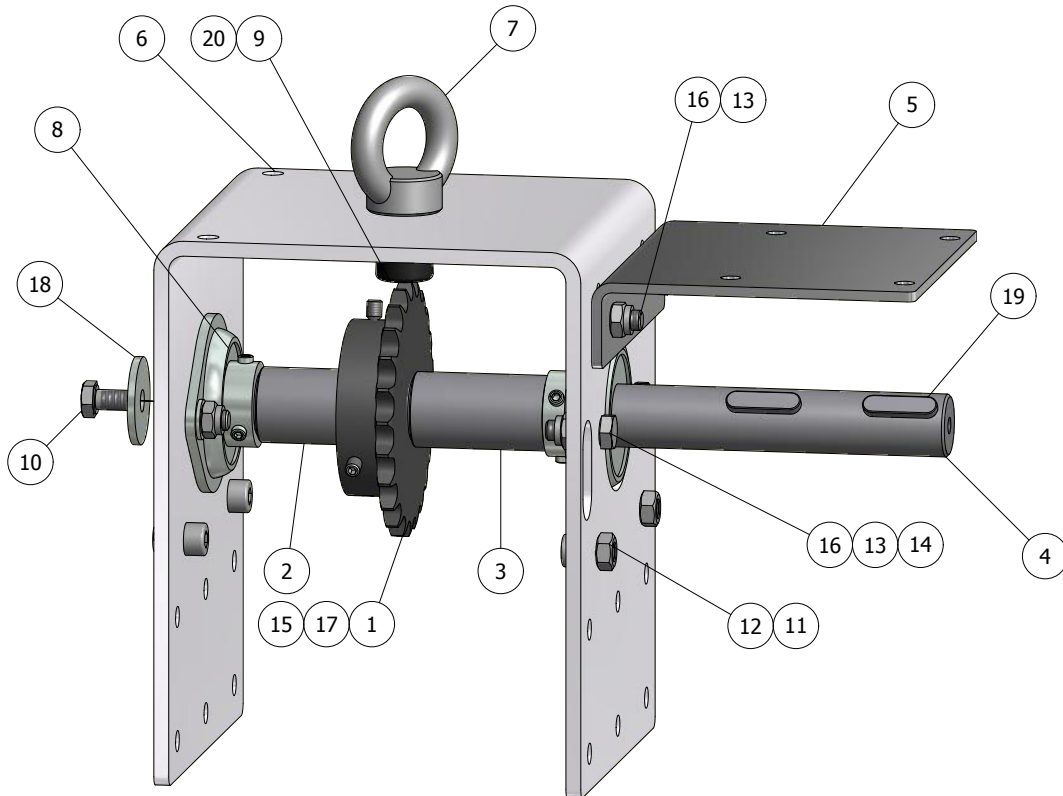
# 210430 - CARRIAGE



POS.	PART NO.	DESCRIPTION	Q.	NOTICE
1	220131	WHEEL COMPLETE	2	
2	371541	CARRIAGE	1	
3	460201	WASHER BRB 8.4	2	
4	460749	SCREW M6S M8x18	2	

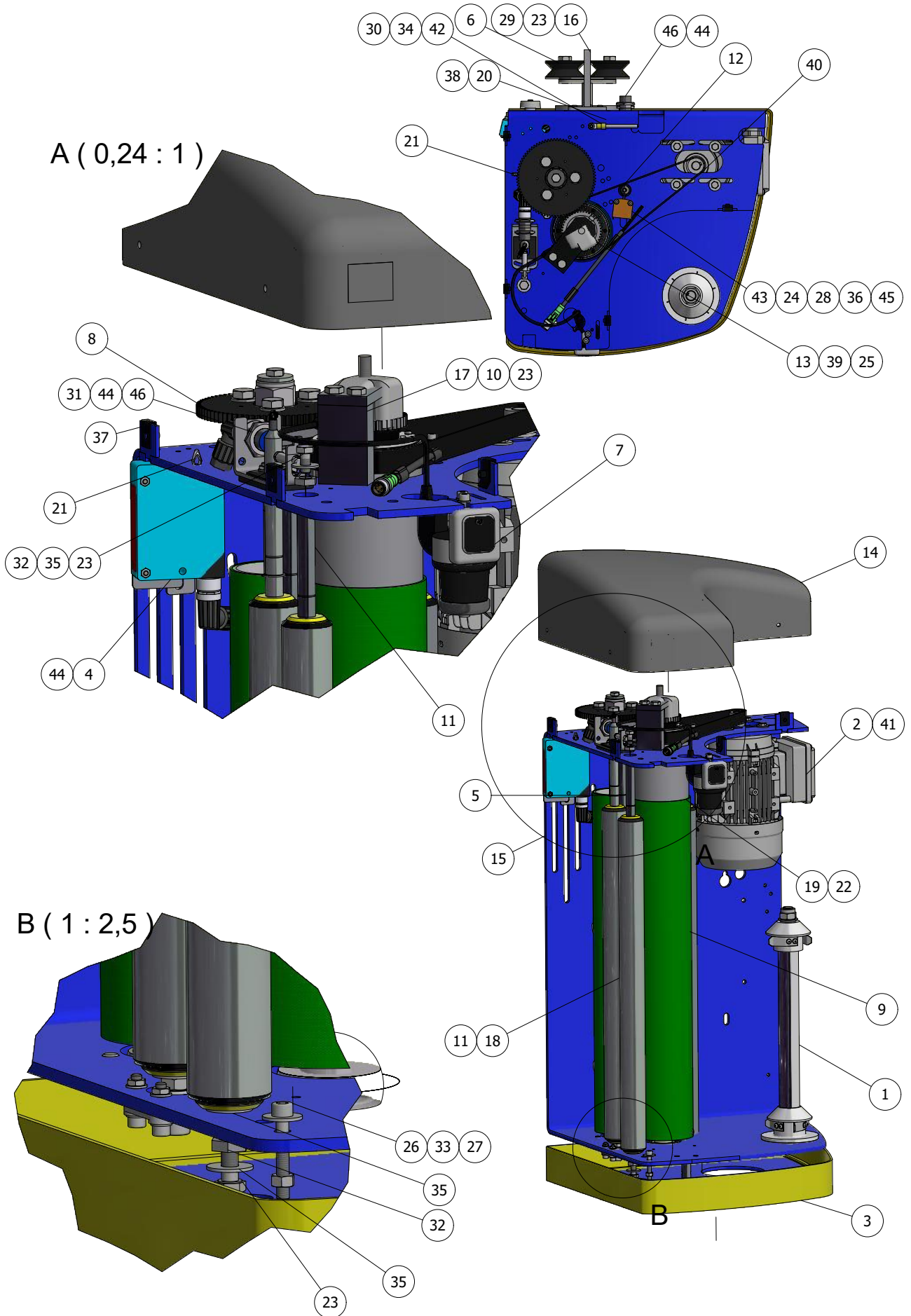


# 210338 - MAST TOP



POS.	PART NO.	DESCRIPTION	Q.	NOTICE
1	360004	SPROCKET FOR MAST 24z	1	
2	360060	DISTANCE 1 FOR TRANSMISSON	1	
3	360061	DISTANCE 2 FOR TRANSMISSON	1	
4	370869	SHAFT TOP	1	
5	370873	BRACKET	1	
6	371126	MAST TOP	1	
7	400244	LIFTING EYE BOLT M12	1	
8	400859	FLANGE BEARING	2	
9	400860	CAP FOR CHAIN	1	
10	460016	SCREW M8x14	1	
11	460107	SCREW MC6S M8x12	4	
12	460181	NUT M6M 8	4	
13	460191	LOCKING NUT M8	6	
14	460201	WASHER BRB 8.4	3	
15	460216	SHAFT KEY 8x7x20	1	
16	460239	SCREW M6S M8x22	6	
17	460254	MSK6SS 6x10	2	
18	460540	WASHER SRKB9x35x3	1	
19	460647	SHAFT KEY 8 x 7 x 30	2	
20	460692	LOCKING NUT M12 L	1	

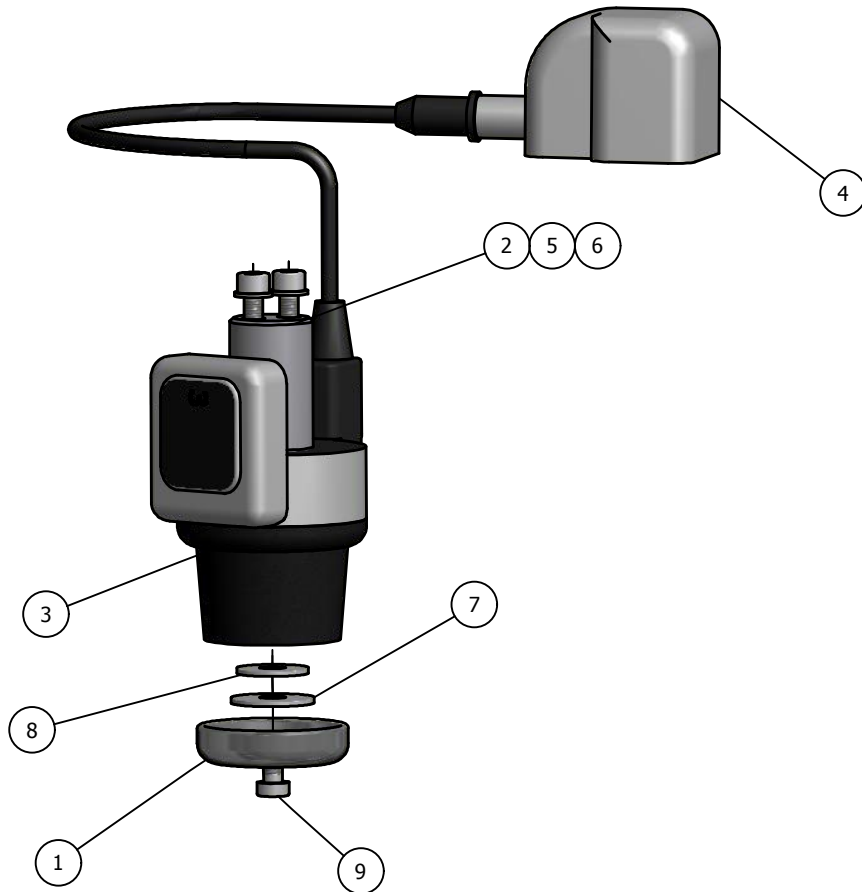
# 210554 - AGGREGATE CTT210



# 210554 - AGGREGATE CTT210

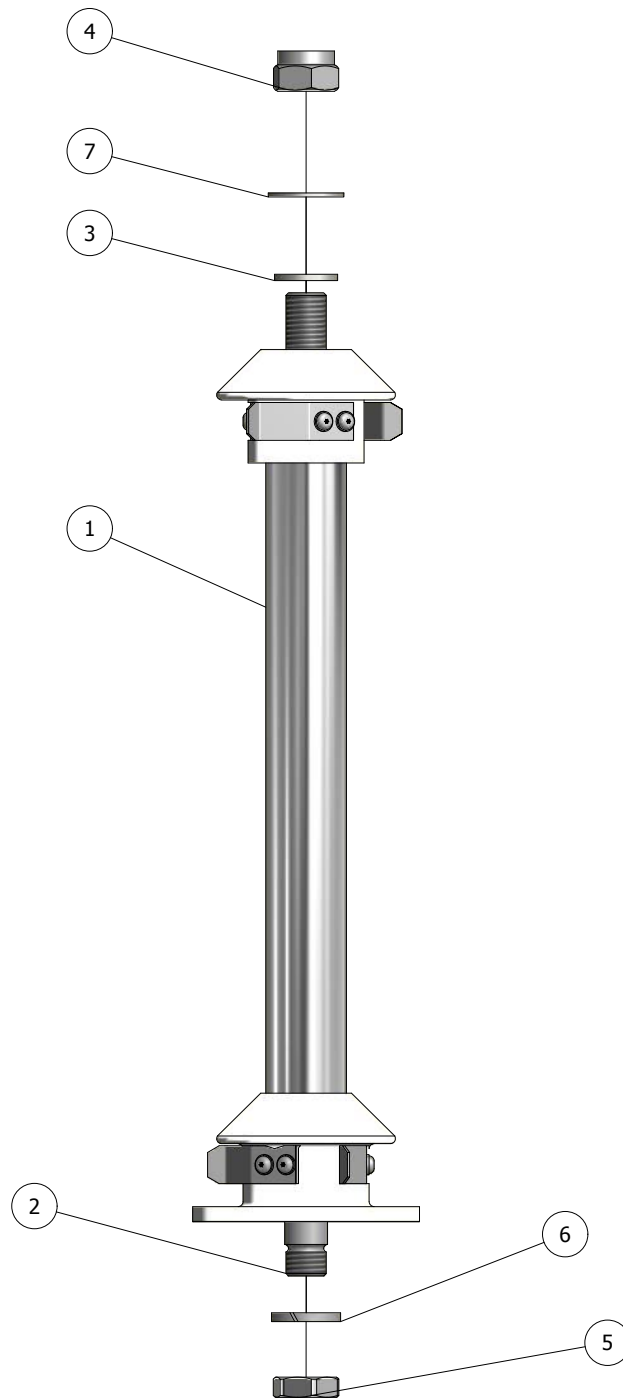
POS.	PART NO.	DESCRIPTION	Q.	NOTICE
1	210226	BOBBIN HOLDER ASSY.	1	
2	210227	ELECTRICAL MOTOR ASSY.	1	
3	210300	PROTECTIVE PLATE ASSY.	1	
4	210356	HEIGHT PHOTOCCELL	1	
5	210360	INDICATING ROLLER	1	
6	210430	CARRIAGE	2	
7	210564	SPEED SHIFT ASSY.	1	
8	210569	PRESTRETCH ROLLER	1	
9	210571	PRESTRETCH ROLLER CTT210	1	
10	312050	HOLDER PLATE	1	
11	312097	DISTANCE SHAFT	2	
12	312164	PLASTIC BEARING	2	
13	312458	GEAR WHEEL z=42	1	
14	360031	COVER FOR PRESTRECH UNIT	1	
15	370014	FRAME	1	
16	371040	FRAME BRACKET	1	
17	371922	HOLDER PLATE	1	
18	400326	TRANSPORT ROLLER	1	
19	400328	FLANGE BEARING SLFL 20	1	
20	400497	CLIP FOR CABLE TIE	1	
21	401658	FASTENER	2	
22	460015	SCREW M6S M8x12	2	
23	460017	SCREW M6S M8x16	12	
24	460077	SCREW MC6S - M4 x 25	2	
25	460082	SCREW MC6S M5x20	1	
26	460102	SCREW MC6S - M6 x 40	2	
27	460180	NUT M6M M6	2	
28	460182	NUT M6M4	2	
29	460201	WASHER BRB 8.4	4	
30	460280	WASHER AZ 5,3x10	1	
31	460334	WASHER PS 18x25x1	2	
32	460535	ML6M M10	2	
33	460541	WASHER NB 7X19X1,5	2	
34	460561	SCREW K6S M5x8	1	
35	460574	WASHER NB 8x22x1,5	3	
36	460589	WASHER BRB 4,3	2	
37	460684	CLIPS M5	4	
38	460698	SCREW K6S M4x6	1	
39	460737	FRP 4x4	3	
40	400734	BELT	1	
41	751110	MOTOR CABLE	1	
42	751120	PE CABLE	1	
43	900148	SECURITY SWITCH	1	
44	900886	SENSOR CABLE	4	
45	900890	SECURITY SWITCH CABLE	1	
46	901349	SENSOR	3	

# 210564 - SPEED SHIFT ASSY.



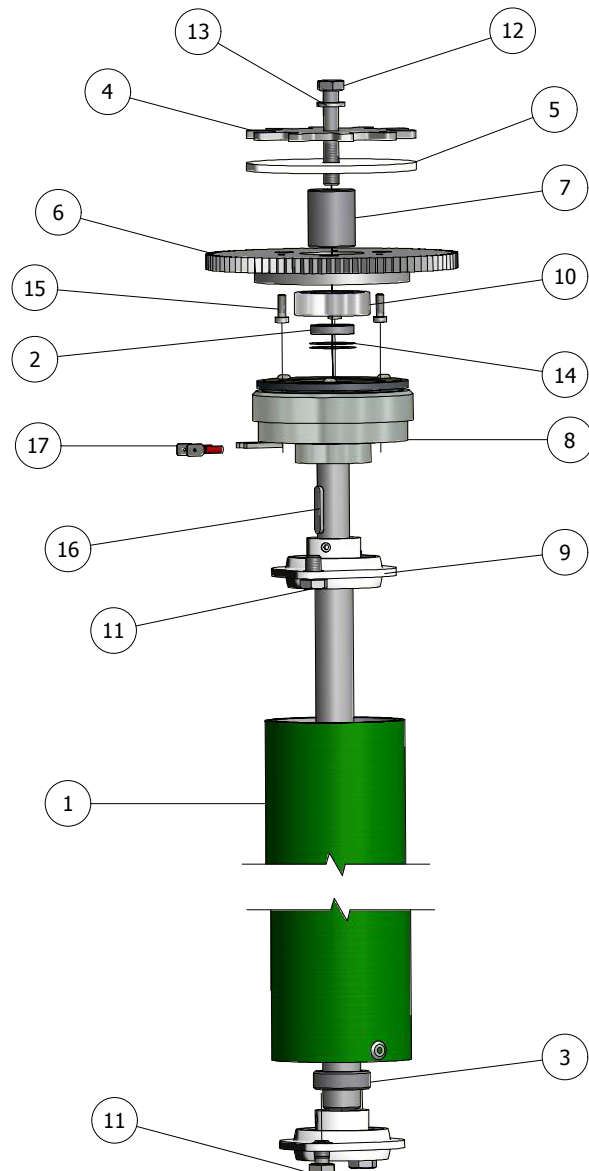
POS.	PART NO.	DESCRIPTION	Q.	NOTICE
1	360019	ENDKNOB HANDLE 8-SPEED	1	
2	360026	SHAFT FOR HANDLE 8-SPEED	1	
3	401733	GEAR HANDLE 3-SPEED	1	
4	401734	GEAT LEVER 3-SPEED	1	
5	460081	SCREW MC6S 5x16	2	
6	460199	WASHER BRB 5.3	2	
7	460534	WASHER SKRRB 7x22x1,5	1	
8	460541	WASHER SKRRB 7x19x1,5	1	
9	460714	MC6LS M5x12	1	

# 210226 - BOBBIN HOLDER ASSY.



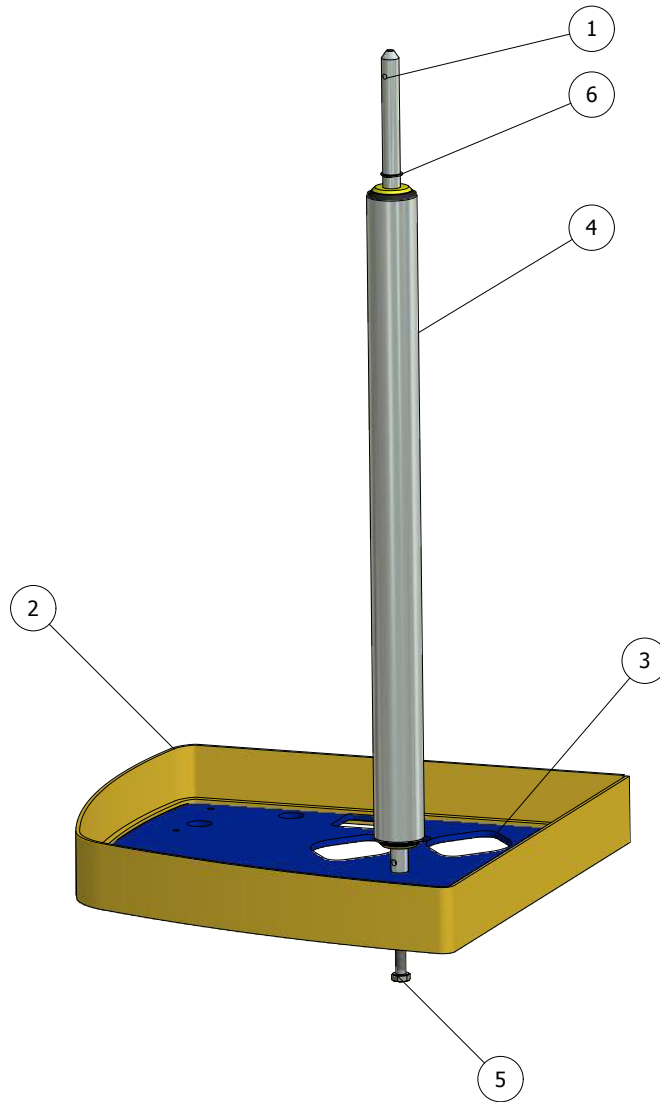
POS.	PART NO.	DESCRIPTION	Q.	NOTICE
1	210159	BOBBIN HOLDER	1	
2	312157	SHAFT FOR FILMROLLER	1	
3	312158	WASHER FOR BOBBIN HOLDER	1	
4	460195	LOCKINGNUT M16	1	
5	460215	NUT ML6 M16	1	
6	460292	WASHER FBB-B A16	1	
7	460573	WASHER KKB16	1	

# 260009 - CLUTCH ROLLER



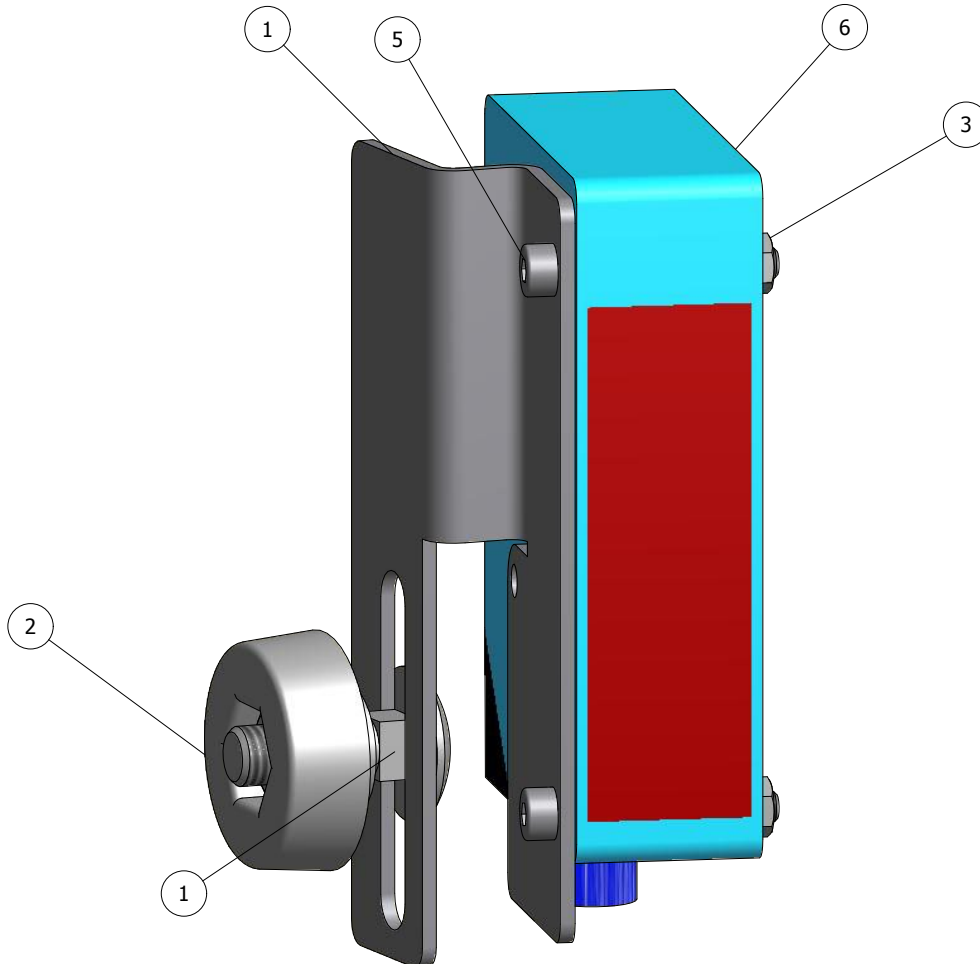
POS.	PART NO.	DESCRIPTION	Q.	NOTICE
1	260007	CLUTCH ROLLER	1	
2	310106	DISTANCE	1	
3	312415	DISTANCE RING	1	
4	320658	INDICATING PLATE	1	
5	320675	ROUND DISTANCE	1	
6	360017	GEAR WHEEL Z=87	1	
7	360035	DISTANCE PRESTRECHUNIT	1	
8	400327	ELECTROMAGNETIC CLUTCH	1	
9	400328	FLANGE BEARING SLFL20-A	2	
10	400329	BEARING	1	
11	460015	SCREW M6S M8x12	4	
12	460067	M6S M8x50	1	
13	460288	WASHER FBB 8,1	1	
14	460323	WASHER PS 17X24X0,2	2	
15	460552	SCREW ML6S M4x12	3	
16	460609	SHAFT KEY	1	
17	901678	FLAT CONNECTOR A1507H	2	

# 210300 - PROTECTIVE PLATE ASSY.



POS.	PART NO.	DESCRIPTION	Q.	NOTICE
1	312094	SHAFT	1	
2	312095	PROTECTION PROFILE	1	
3	370017	PROTECTION PLATE	1	
4	400326	TRANSPORT ROLLER	1	
5	460018	SCREW M6S M8x20	1	
6	460423	RETANING RING	1	

# 210356 - HEIGHT PHOTOCELL



POS.	PART NO.	DESCRIPTION	Q.	NOTICE
1	371034	PHOTOCELL BRACKET	1	
2	400351	KNOB M8	1	
3	460182	NUT M6M4	2	
4	460549	SCREW MVBF 8x25	1	
5	460613	SCREW MC6S M4x30	2	
6	900660	PHOTOCELL	1	









